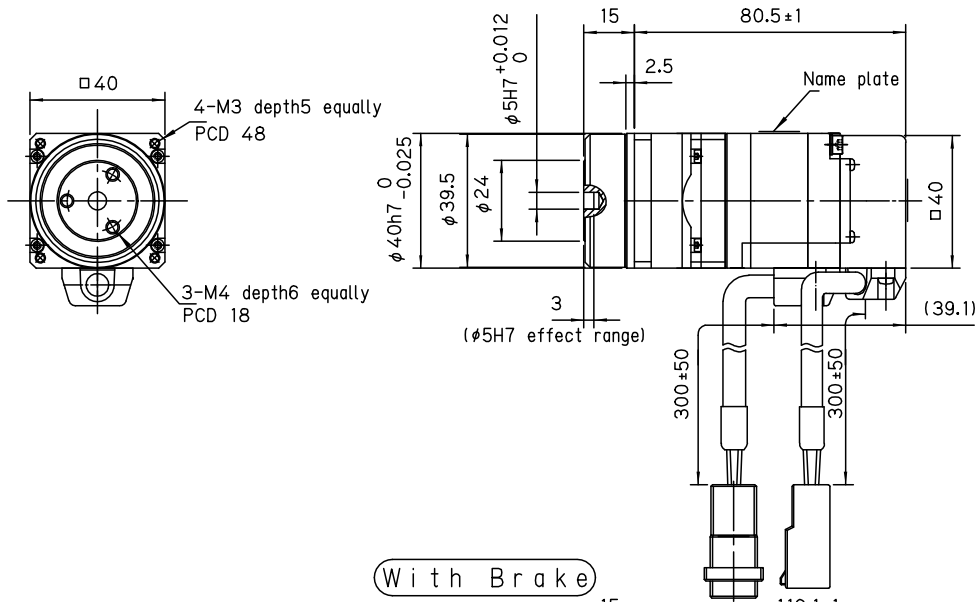
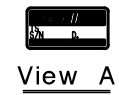
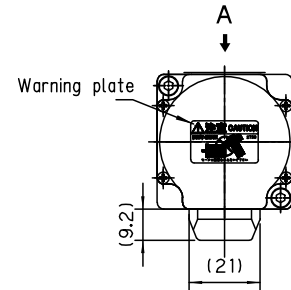


□40

Without Brake



TS4601 30W
Gear Ratio . . . 1/15 or 1/25



With Brake

