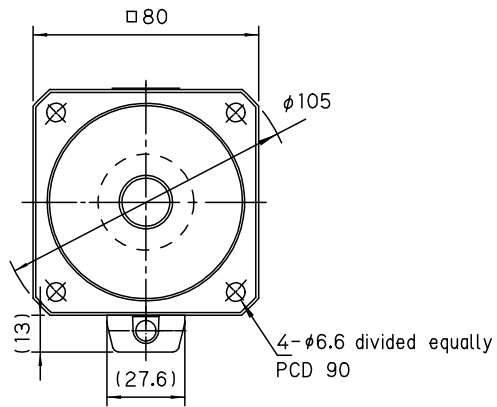


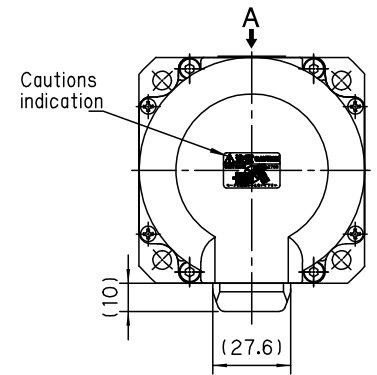
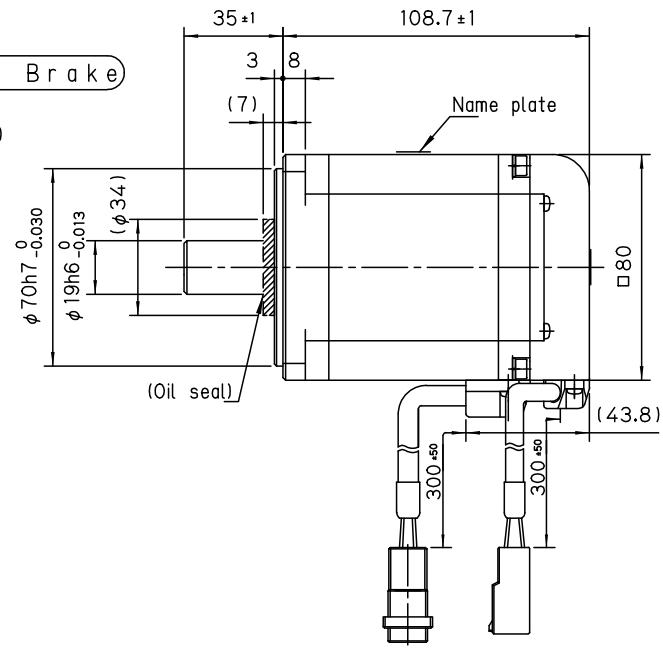
□80

TS4614..... 750W



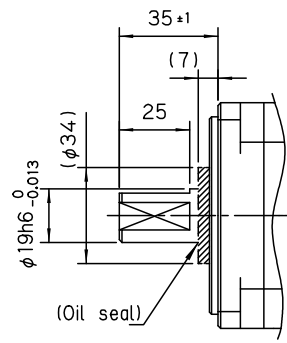
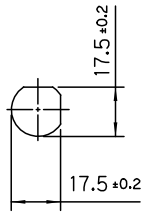
Without Brake

(Round shaft)

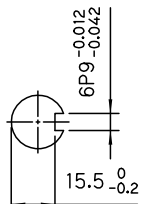


(Viewed from A)

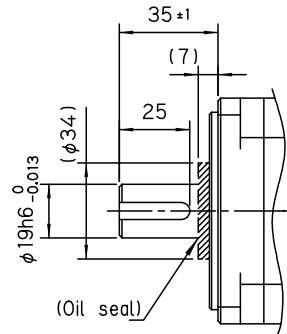
(Double-sided milling)



(Keyway)



Attached key: 6x6x25
(semicircular end)



With Brake

