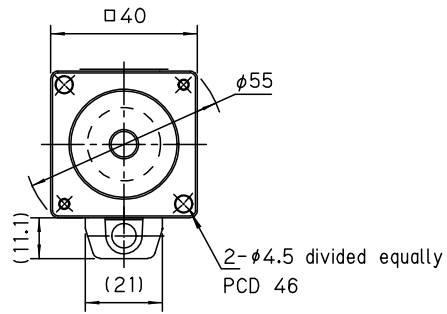
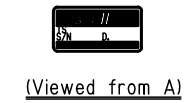
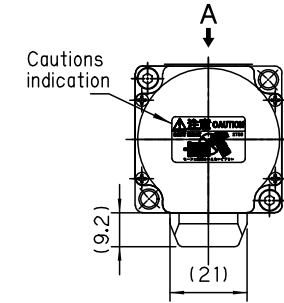
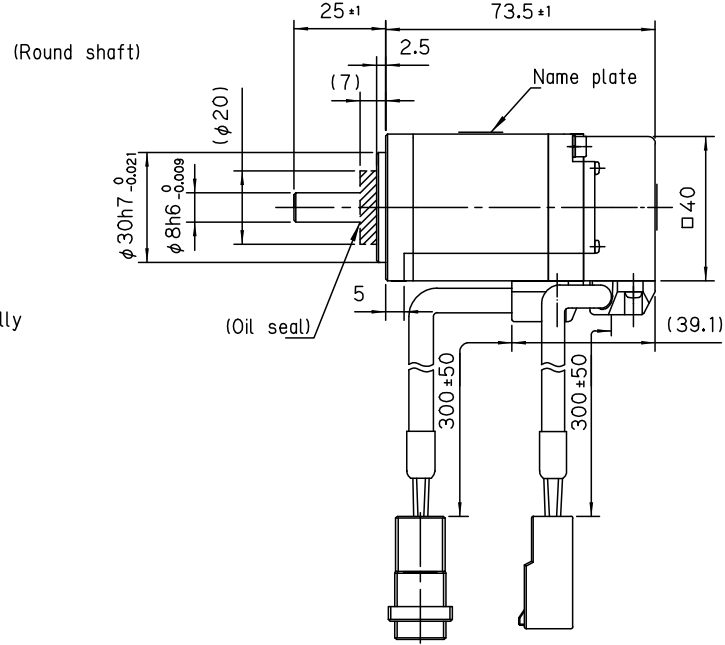


□40

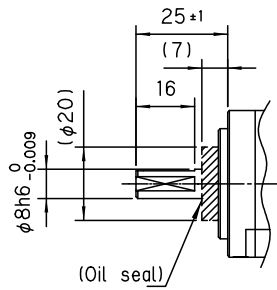
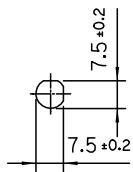
TS4603 . . . . . 100W



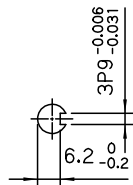
(Without Brake)



(Double-sided milling)



(Keyway)



Attached key: 3x3x16  
(semicircular end)

(With Brake)

